

Rev	Date	Notes
A	8/29/2011	Created from 750-2170-001 rev. D schematic (input power and antenna matching component changes). Added resistor on VBAT to allow overall current measurement.
B	10/6/2011	Changed antenna matching components per final RF testing.

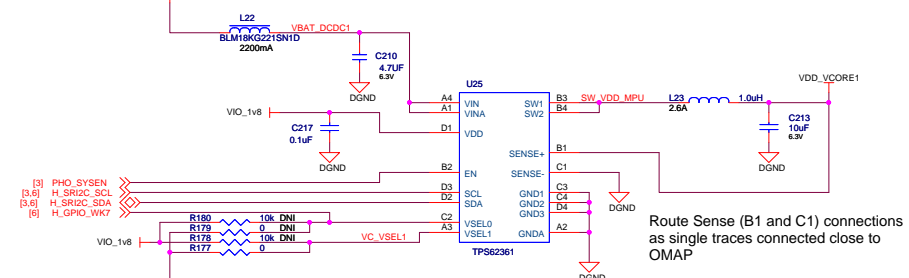
Table of Contents

Pg# - Schematic Page Name

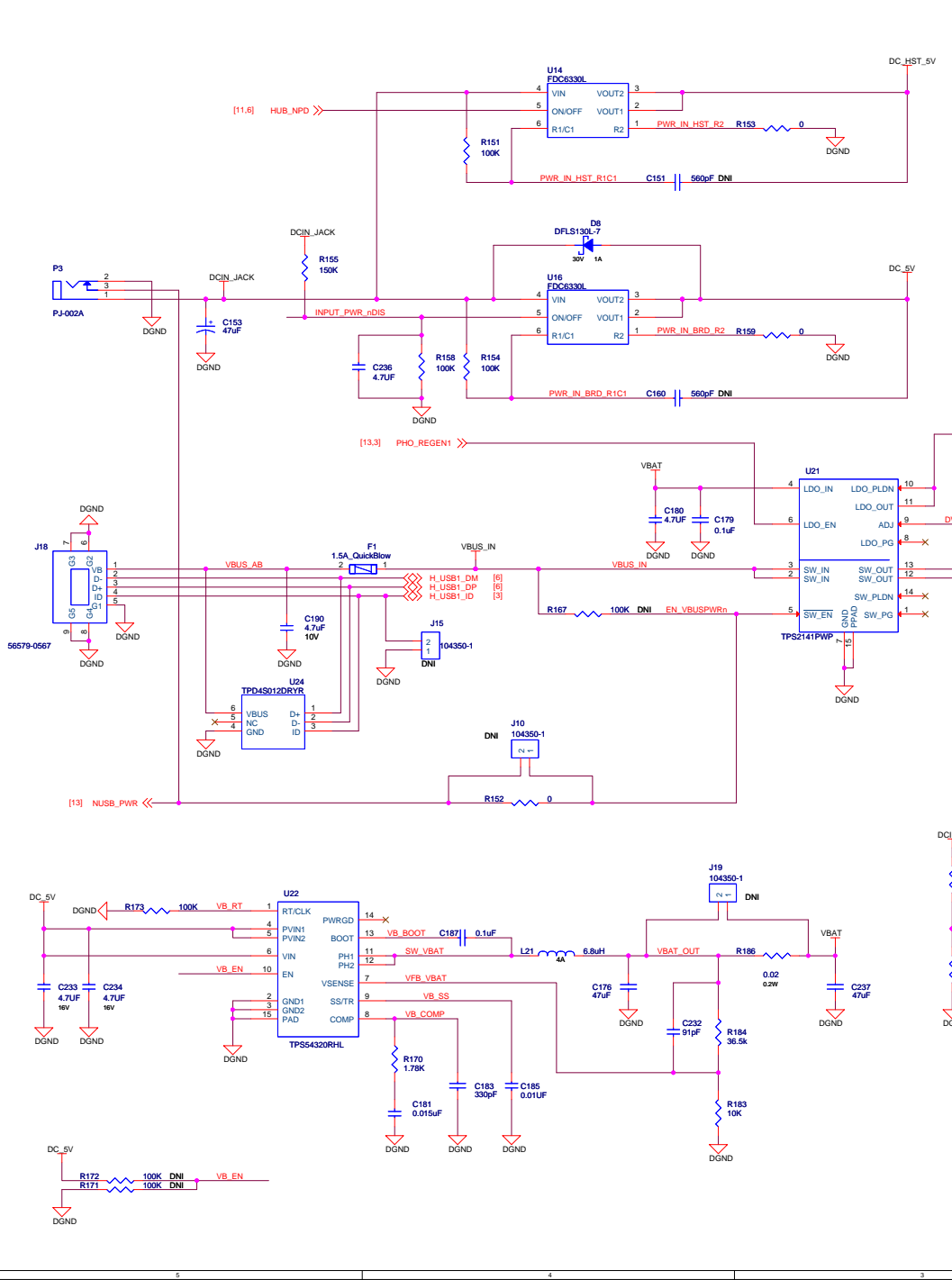
-
- 1 - Title Page
 - 2 - Input Power
 - 3 - Phoenix Power Component
 - 4 - Phoenix Audio Component
 - 5 - OMAP4460 Symbol A
 - 6 - OMAP4460 Symbol B
 - 7 - OMAP4460 Symbol C
 - 8 - OMAP4460 Debug Interface
 - 9 - SDMMC Card Interface + USB Phy (Hub)
 - 10 - DVI & HDMI Connector
 - 11 - Debug Ethernet
 - 12 - Audio Jack/RS-232 Connection
 - 13 - Expansion Connectors
 - 14 - WLAN Subsystem


		pandaboard.org	
OMAP4460 Panda Board, 8-Layer			
Title Page		Rev B	
Document Number		750-2170-002-SCH	
Date:	Thursday, October 06, 2011	Sheet	1 of 14

OMAP VDD_MPU Core Supply (Supplement to PMIC)



Route Sense (B1 and C1) connections as single traces connected close to OMAP



 **panda board.org**

OMAP4460 Panda Board, 8-Layer
 Input Power & Supplies

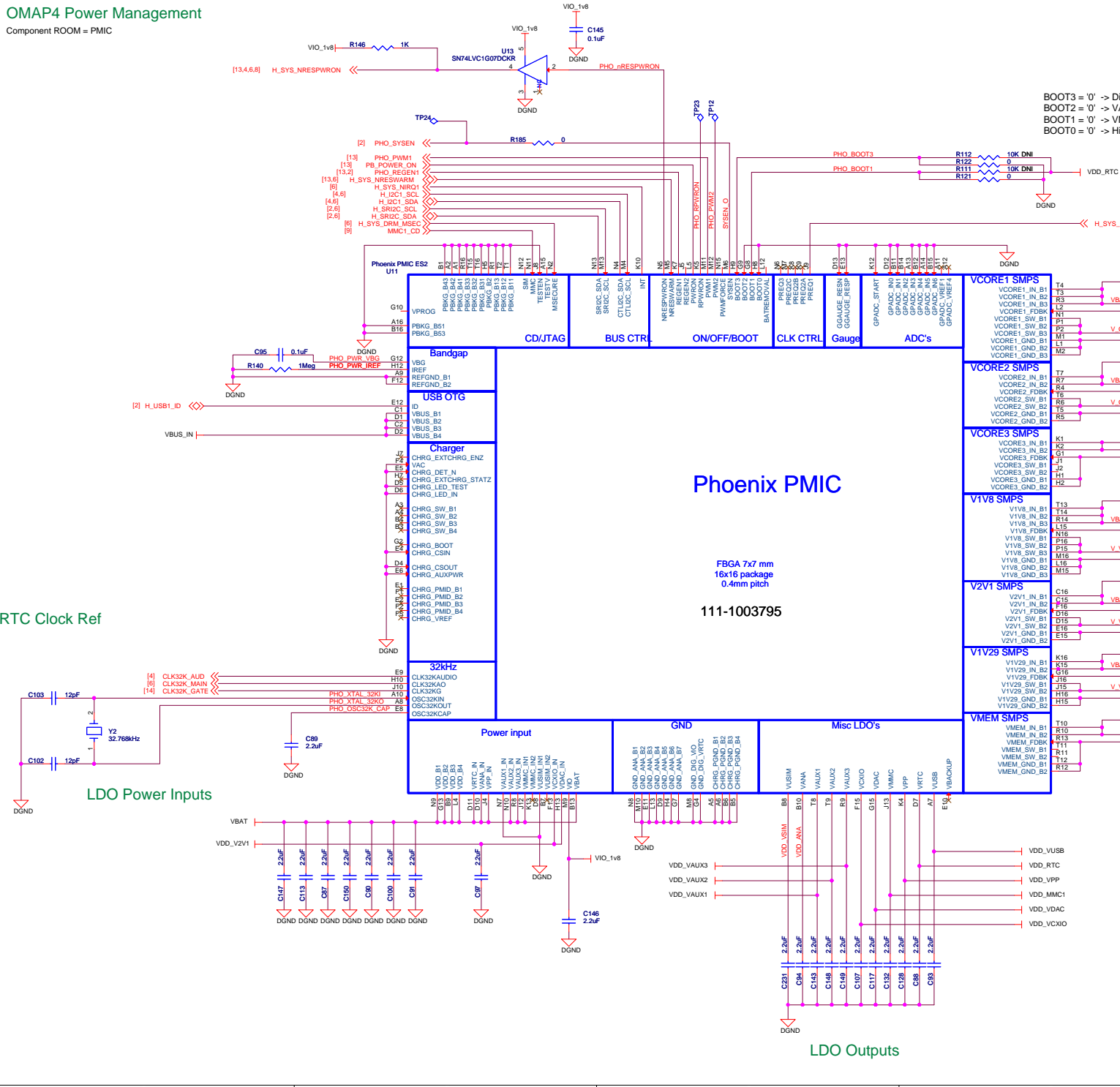
Document Number	750-2170-002-SCH	Rev	B
Date:	Thursday, October 06, 2011	Sheet	2 of 14

OMAP4 Power Management

Component ROOM = PMIC

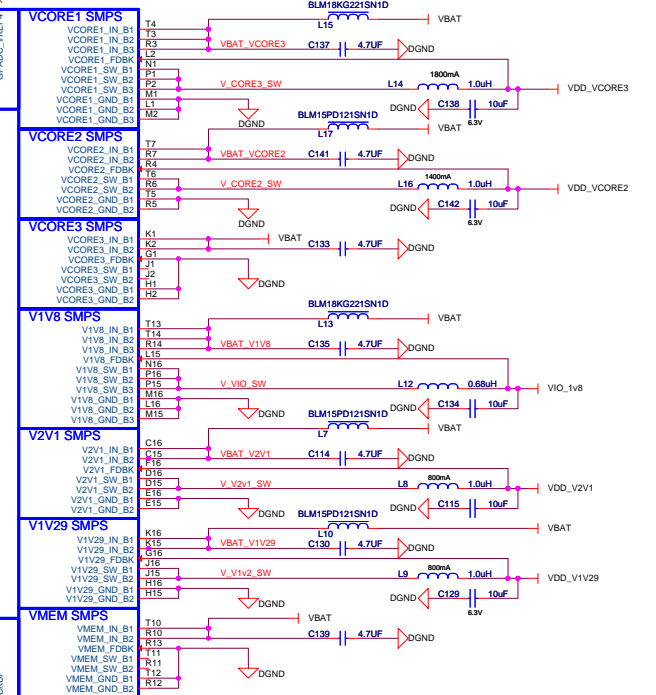
RTC Clock Ref

LDO Power Inputs



BOOT3 = '0' -> Disable VAUX1 LDO @ Boot-up
 BOOT2 = '0' -> VAUX1 LDO default = 2.8V
 BOOT1 = '0' -> VMEM disabled at board power up
 BOOT0 = '0' -> High battery thresholds for VBATMIN

SMPS Power Inputs & Outputs




Phoenix PMIC

FBGA 7x7 mm
 16x16 package
 0.4mm pitch

111-1003795

LDO Outputs

Phoenix Power Management IC

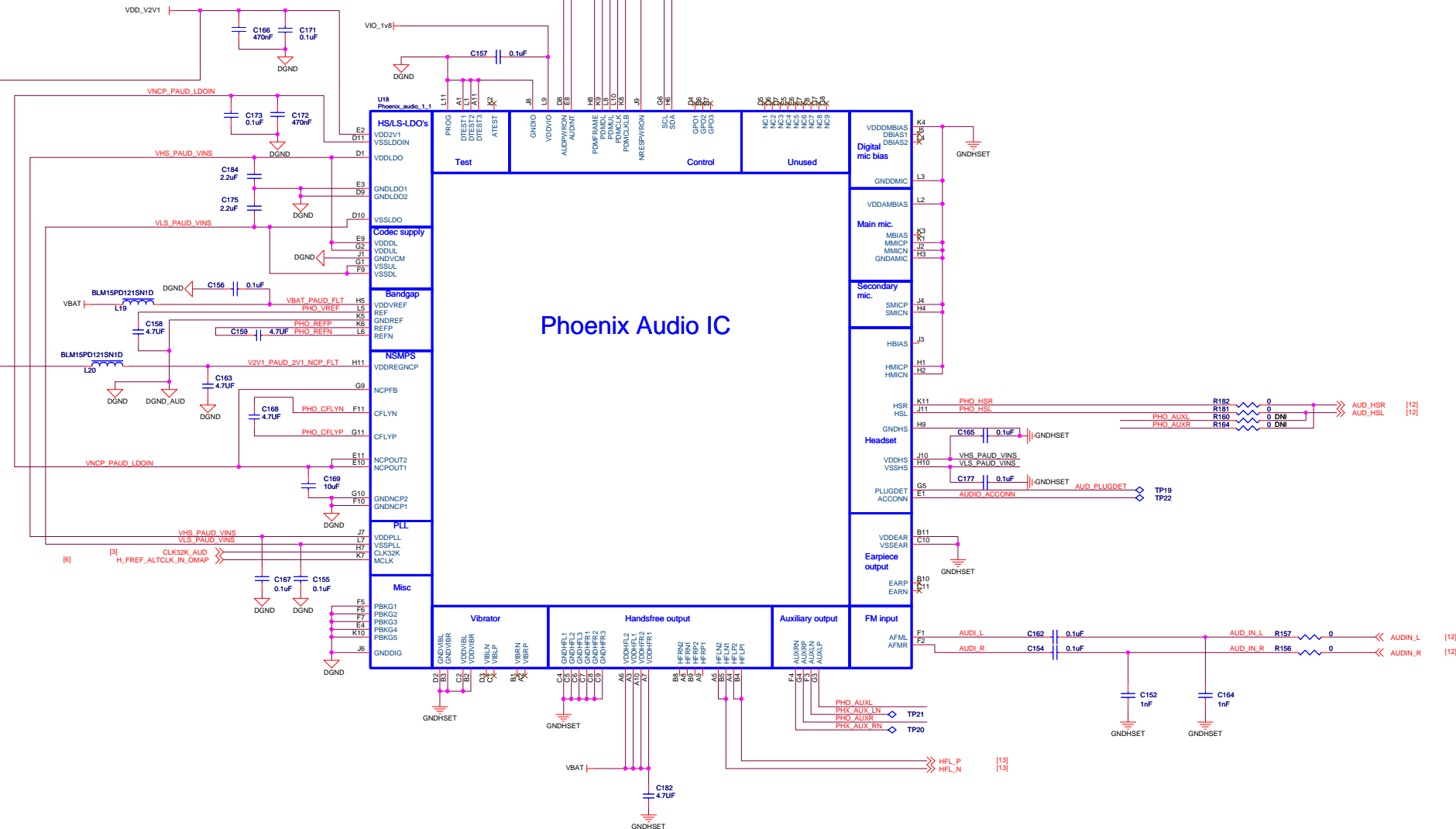


OMAP4460 Panda Board, 8-Layer
 TWL6030 Power Companion IC

Document Number	750-2170-002-SCH	Rev	B
Date	Thursday, October 06, 2011	Sheet	3 of 14

- [3,6] H_2C1_SDA
- [3,6] H_2C1_SCL
- [13,3,6,6] H_SYS_ARESPIRON
- [13,3,6,6] H_PDM_CLK
- [13,3,6,6] H_ABE_CLKS
- [13,3,6,6] H_PDM_DL_DATA
- [13,3,6,6] H_PDM_UL_DATA
- [13,3,6,6] H_PDM_DL_DATA
- [13,3,6,6] H_PDM_FRAME
- [16] H_SYS_NIRQ2
- [16] H_AUD_PWRON

- TP18 h_PDM_CLK
- TP14 h_ABE_CLKS
- TP17 h_PDM_DL_DATA
- TP16 h_PDM_UL_DATA
- TP8 h_PDM_FRAME
- TP10 h_SYS_NIRQ2
- TP13 h_AUD_PWRON
- TP9 h_FREQ_ALTCLK_IN OMAP



Phoenix Audio IC

Audio In

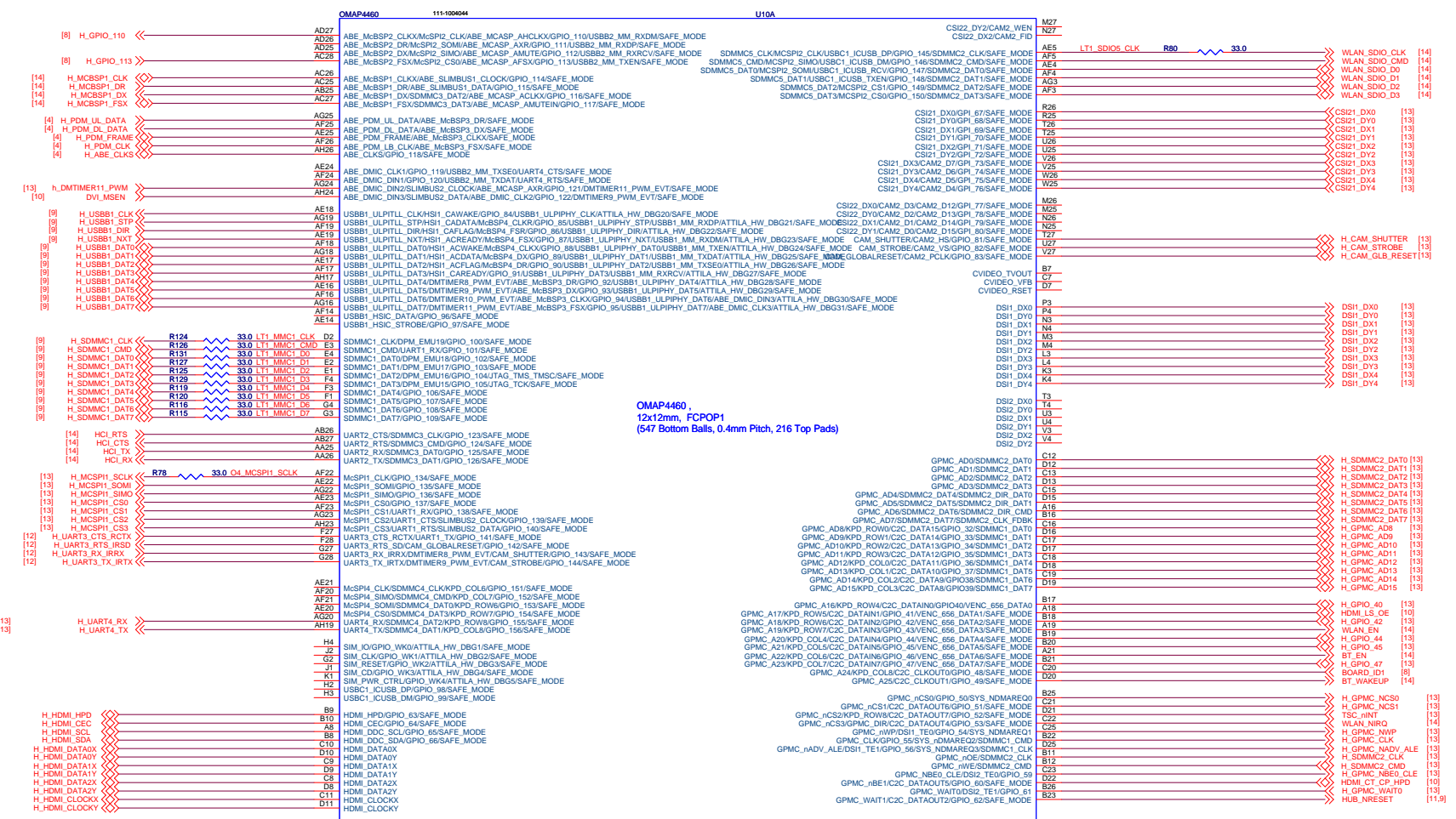
Phoenix Audio IC



OMAP4460 Panda Board, 8-Layer
 TWL6040 Audio Companion IC
 Document Number 750-2170-002-SCH
 Date: Thursday, October 06, 2011

Rev B

Sheet 4 of 14



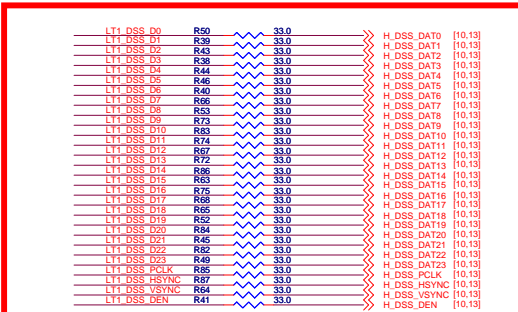
OMAP4460 Symbol "A"

pandaboard.org

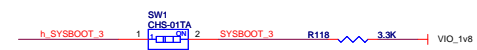
OMAP4460 Panda Board, 8-Layer
 OMAP4460 Symbol #1

Document Number	750-2170-002-SCH	Rev	B
Date	Thursday, October 06, 2011	Sheet	5 of 14

12C



Reference Clock

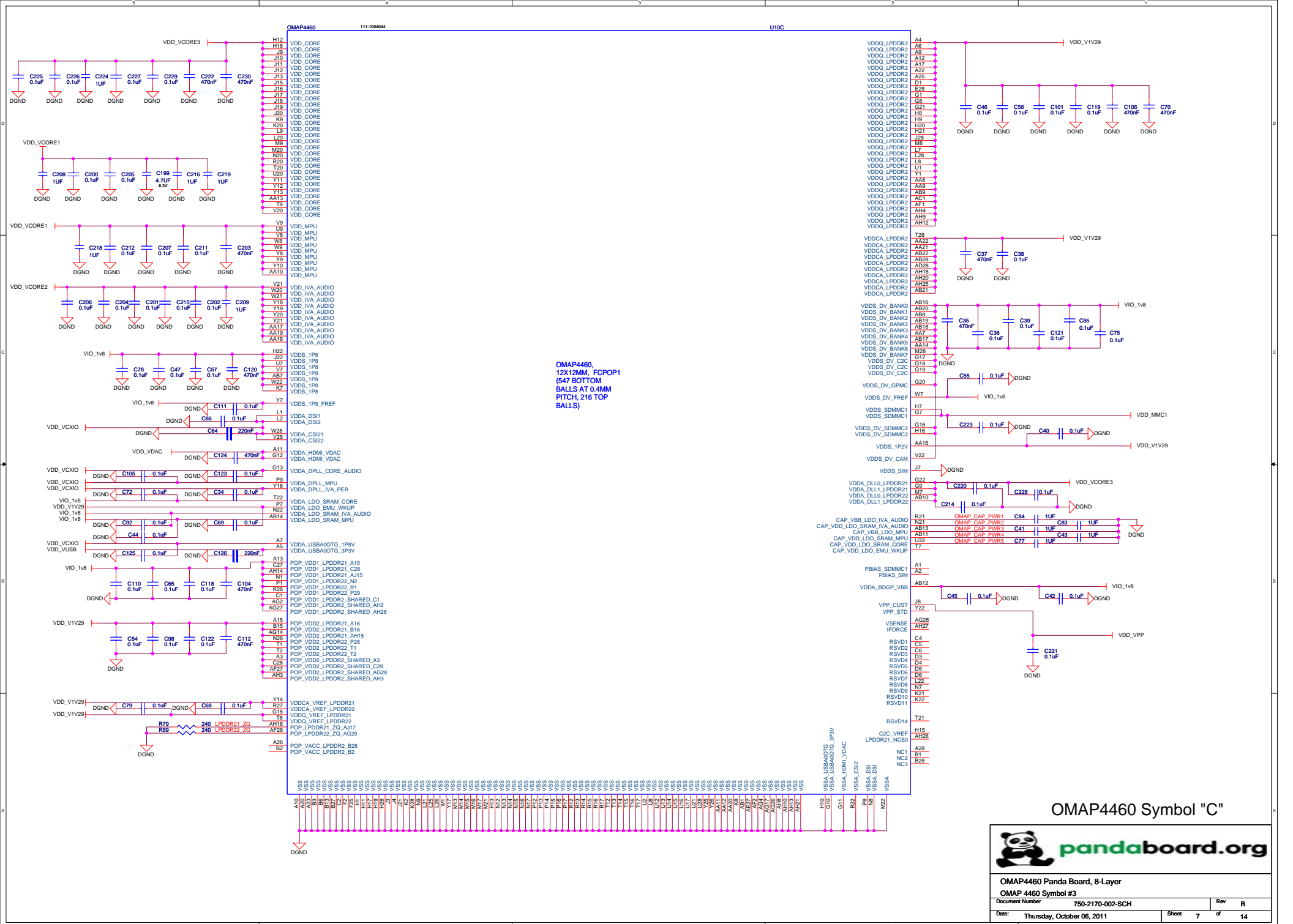


OMAP4460 Symbol "B"

pandaboard.org

OMAP4460 Panda Board, 8-Layer
OMAP4460 Symbol #2


Document Number	750-2170-002-SCH	Rev	B
Date	Thursday, October 06, 2011	Sheet	6 of 14



OMAP4460,
12X12MM, FCPPOP1
(647 BOTTOM
BALLS AT 0.4MM
PITCH, 216 TOP
BALLS)

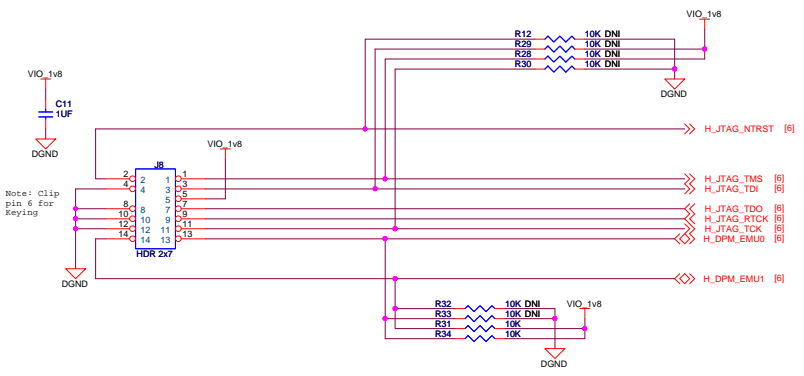
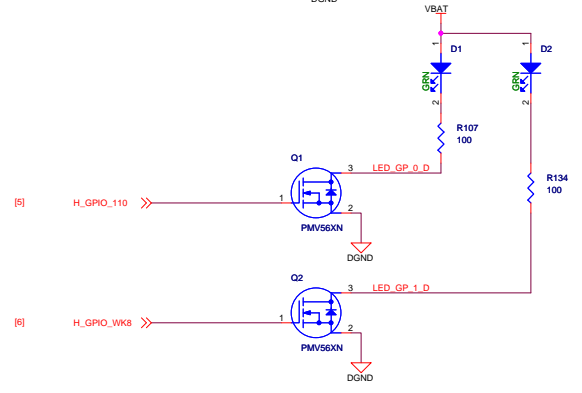
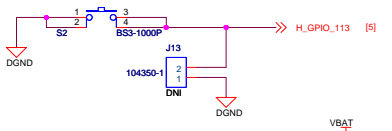
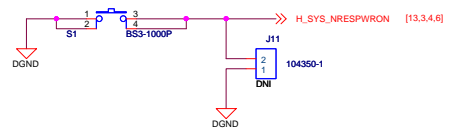
- R21 OMAP_CAP_PWR1
- N21 OMAP_CAP_PWR2
- AB13 OMAP_CAP_PWR3
- AB11 OMAP_CAP_PWR4
- U22 OMAP_CAP_PWR5
- C77 OMAP_CAP_PWR5
- C84 1UF
- C83 1UF
- C41 1UF
- C43 1UF
- C77 1UF
- C84 1UF
- C41 1UF
- C43 1UF
- C77 1UF

OMAP4460 Symbol "C"

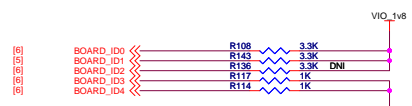
 **panda**board.org

OMAP4460 Panda Board, 8-Layer
OMAP 4460 Symbol #3

Document Number	750-2170-002-SCH	Rev	B
Date:	Thursday, October 06, 2011	Sheet	7 of 14



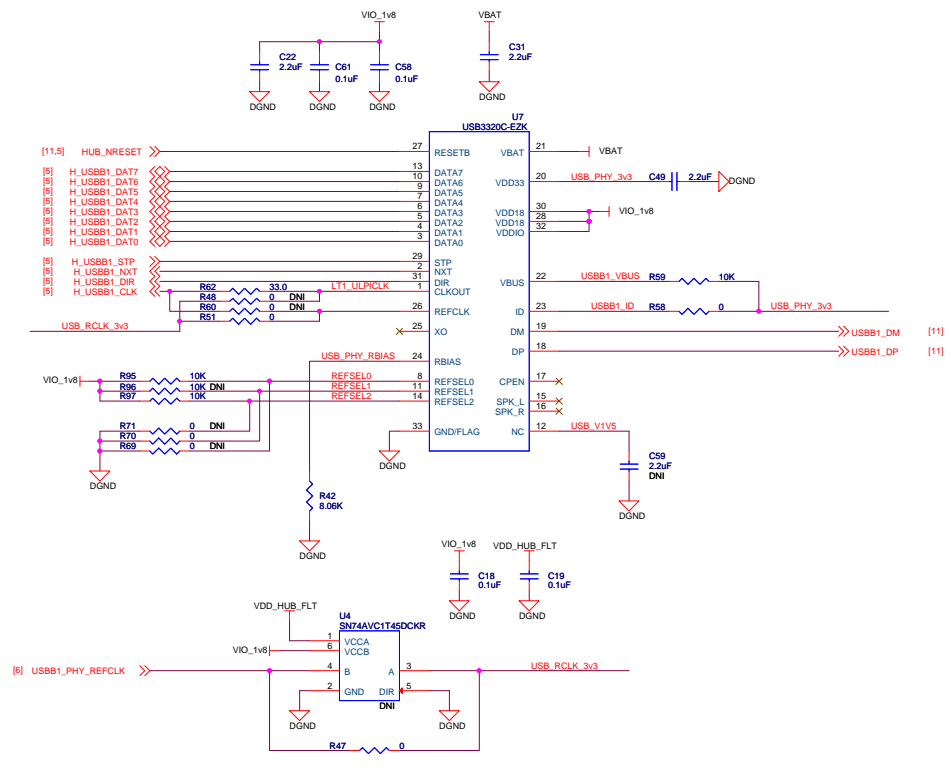
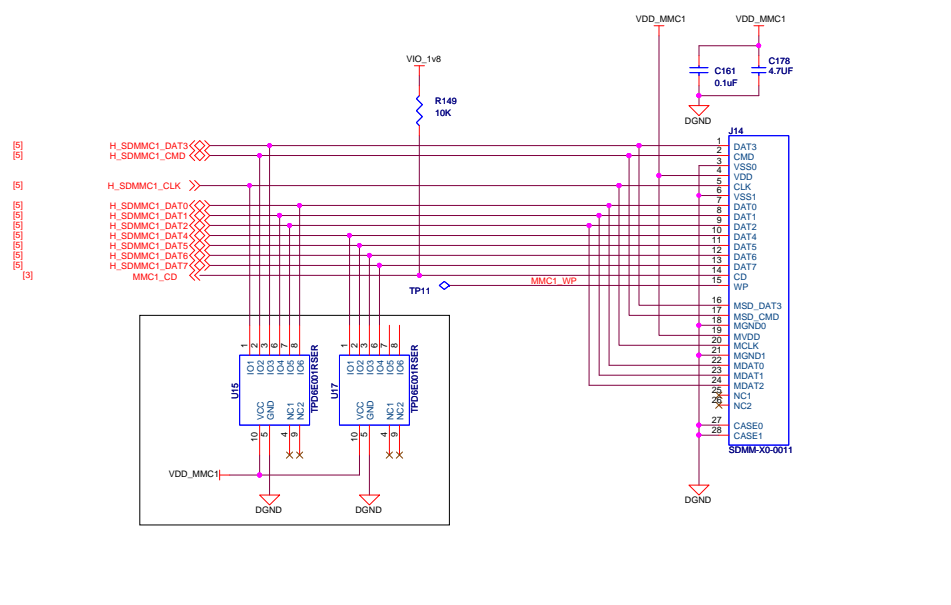
These OMAP GPIOs are intended for use as board ID indicators

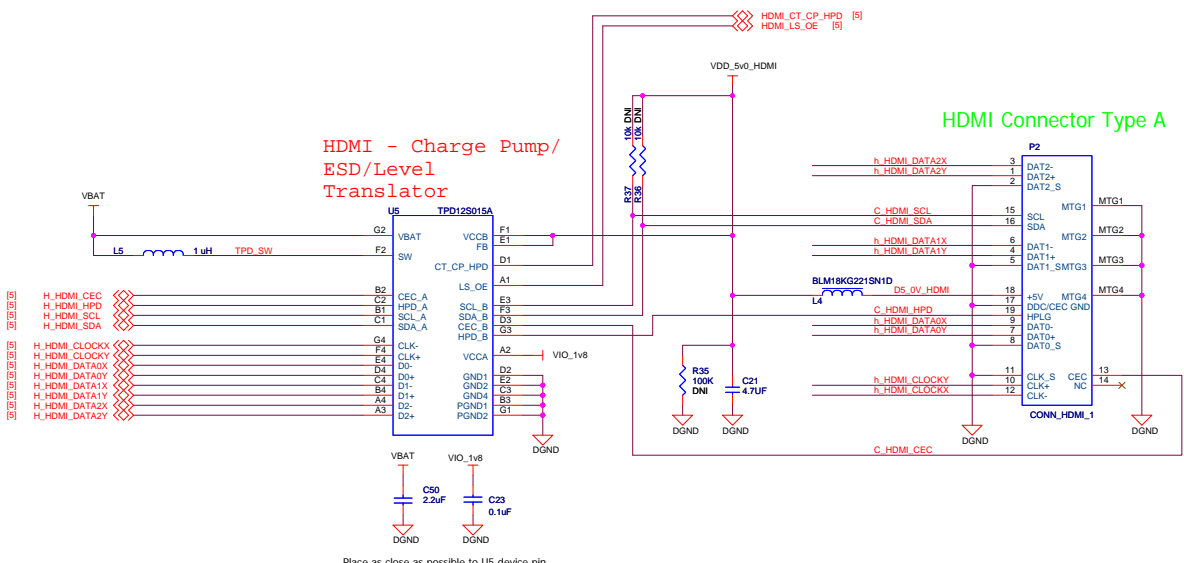


OMAP Debug IF - JTAG Connectors



OMAP4460 Panda Board, 8-Layer			
JTAG, Debug Connectors			
Document Number	750-2170-002-SCH	Rev	B
Date:	Thursday, October 06, 2011	Sheet	8 of 14

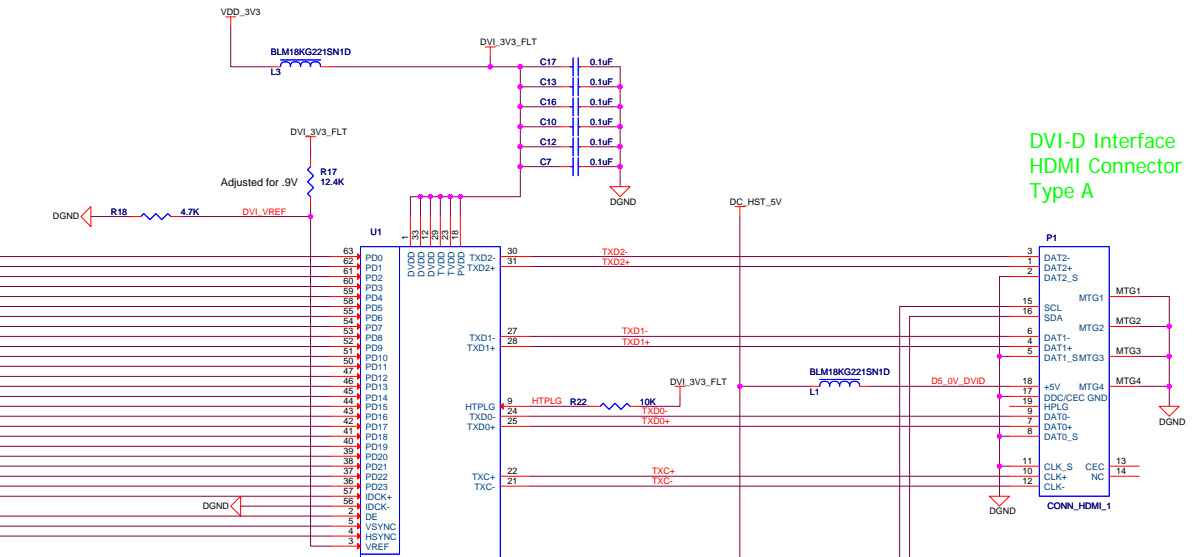




HDMI - Charge Pump/
ESD/Level
Translator

HDMI Connector Type A

Place as close as possible to U5 device pin



DVI-D Interface
HDMI Connector
Type A

- [13.6] H_DSS_DAT0
- [13.6] H_DSS_DAT1
- [13.6] H_DSS_DAT2
- [13.6] H_DSS_DAT3
- [13.6] H_DSS_DAT4
- [13.6] H_DSS_DAT5
- [13.6] H_DSS_DAT6
- [13.6] H_DSS_DAT7
- [13.6] H_DSS_DAT8
- [13.6] H_DSS_DAT9
- [13.6] H_DSS_DAT10
- [13.6] H_DSS_DAT11
- [13.6] H_DSS_DAT12
- [13.6] H_DSS_DAT13
- [13.6] H_DSS_DAT14
- [13.6] H_DSS_DAT15
- [13.6] H_DSS_DAT16
- [13.6] H_DSS_DAT17
- [13.6] H_DSS_DAT18
- [13.6] H_DSS_DAT19
- [13.6] H_DSS_DAT20
- [13.6] H_DSS_DAT21
- [13.6] H_DSS_DAT22
- [13.6] H_DSS_DAT23
- [13.6] H_DSS_PCLK
- [13.6] H_DSS_DEN
- [13.6] H_DSS_VSYNC
- [13.6] H_DSS_HSYNC

[11] TFP410_NPD

- [13.6] H_I2C3_SCL
- [13.6] H_I2C3_SDA

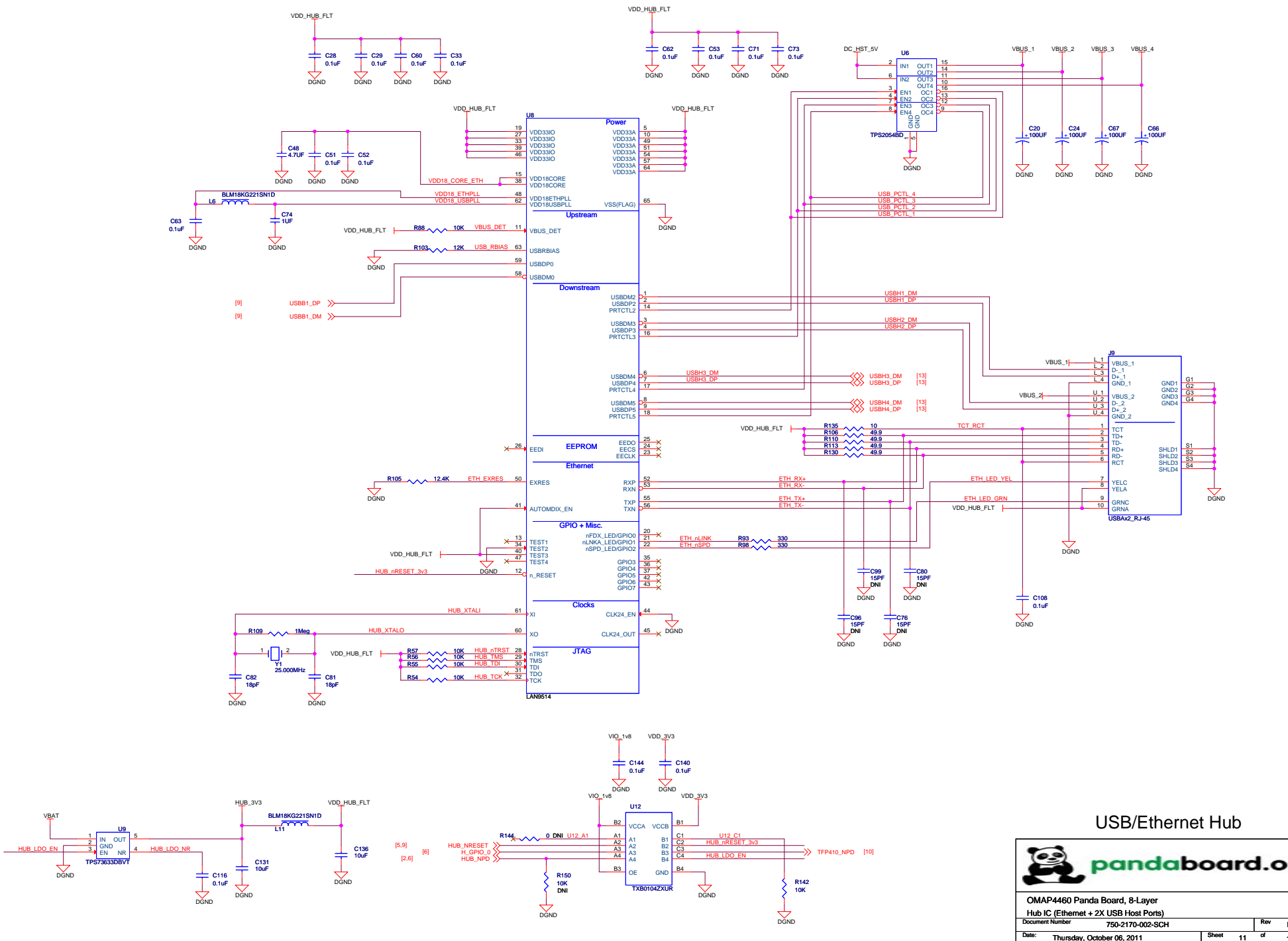
DDC I2C Interface

DVI & HDMI Interfaces

OMAP4460 Panda Board, 8-Layer
DVI/HDMI Interfaces

Document Number	750-2170-002-SCH	Rev	B
Date:	Thursday, October 06, 2011	Sheet	10 of 14

USB + Ethernet Hub

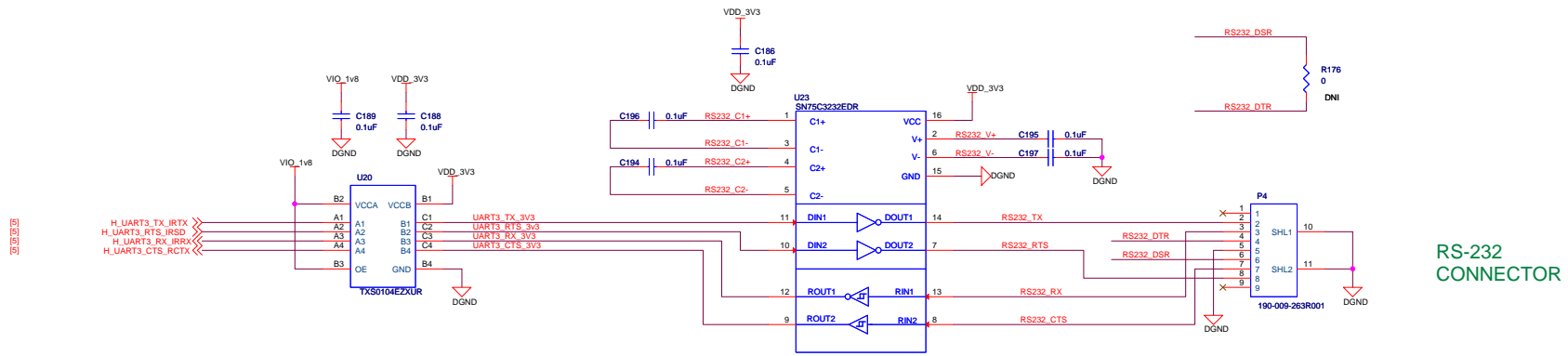
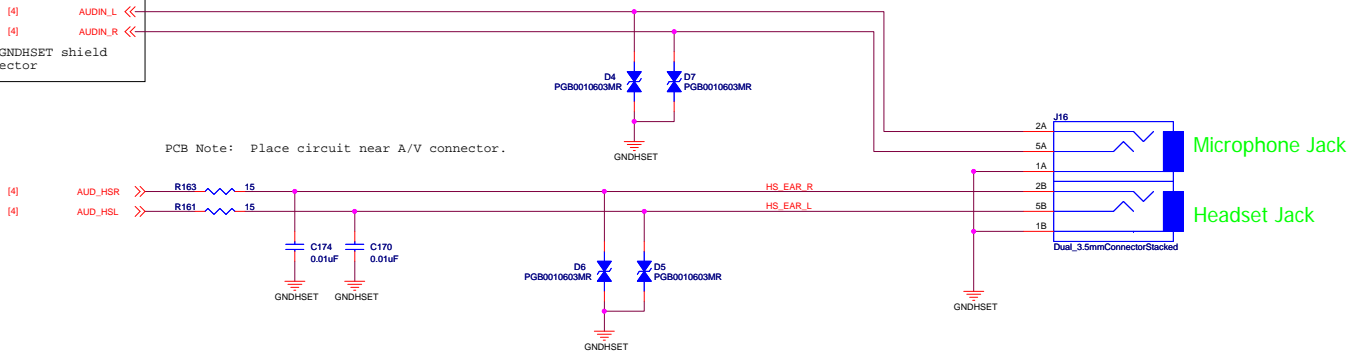


USB/Ethernet Hub




OMAP4460 Panda Board, 8-Layer	
Hub IC (Ethernet + 2X USB Host Ports)	
Document Number	750-2170-002-SCH
Date:	Thursday, October 06, 2011
Sheet	11 of 14
Rev	B

PCB Note:
Traces surrounded by GNDHSET shield
& routed diff to connector



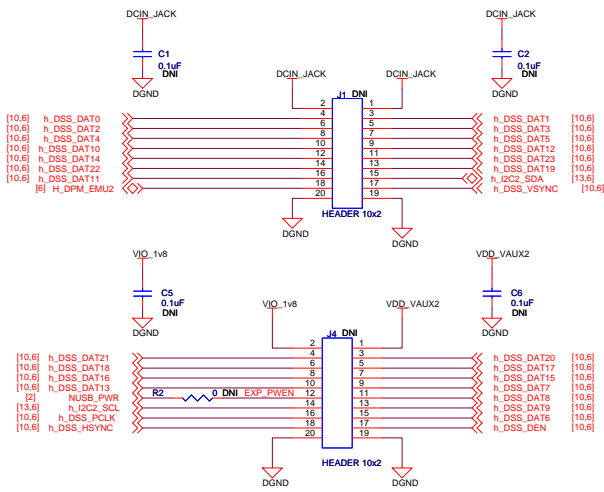
3.5mm Audio Conn + RS-232 I/F

 **pandaboard.org**

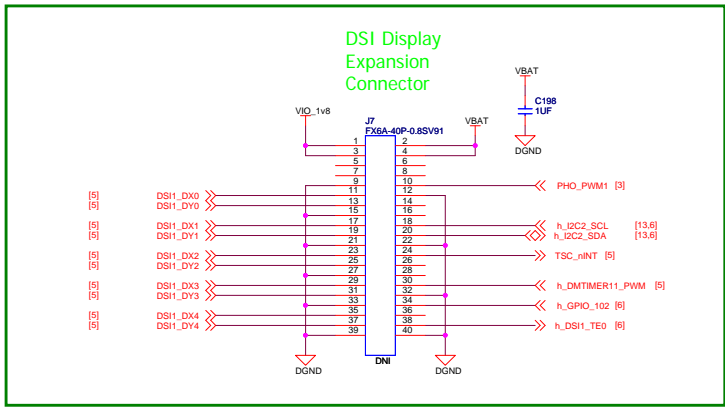
OMAP4460 Panda Board, 8-Layer
Audio Jack & RS-232 Connector

Document Number	750-2170-002-SCH	Rev	B
Date:	Thursday, October 06, 2011	Sheet	12 of 14

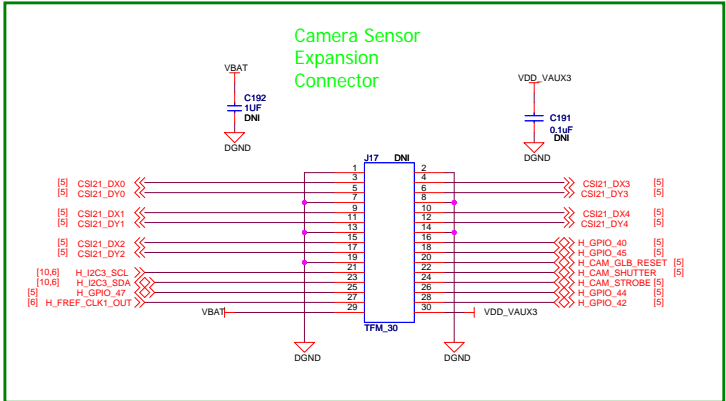
LCD Expansion Connectors (Beagle Legacy)



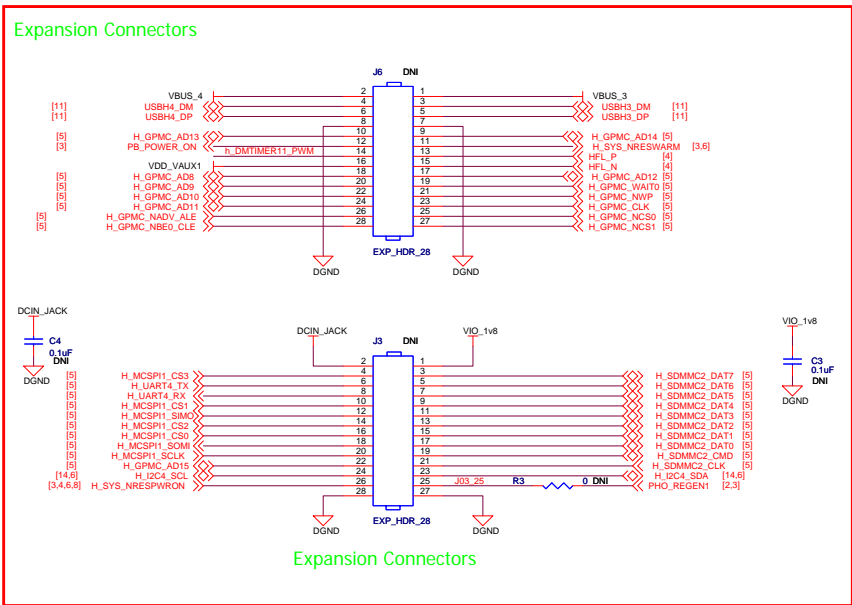
DSI Display Expansion Connector



Camera Sensor Expansion Connector



Expansion Connectors



ECN-13455 - Changed C235 from 0.5pF capacitor to zero ohm resistor, and L2 from 5.1nH to 5.6nH inductor per results of RF performance testing.

